

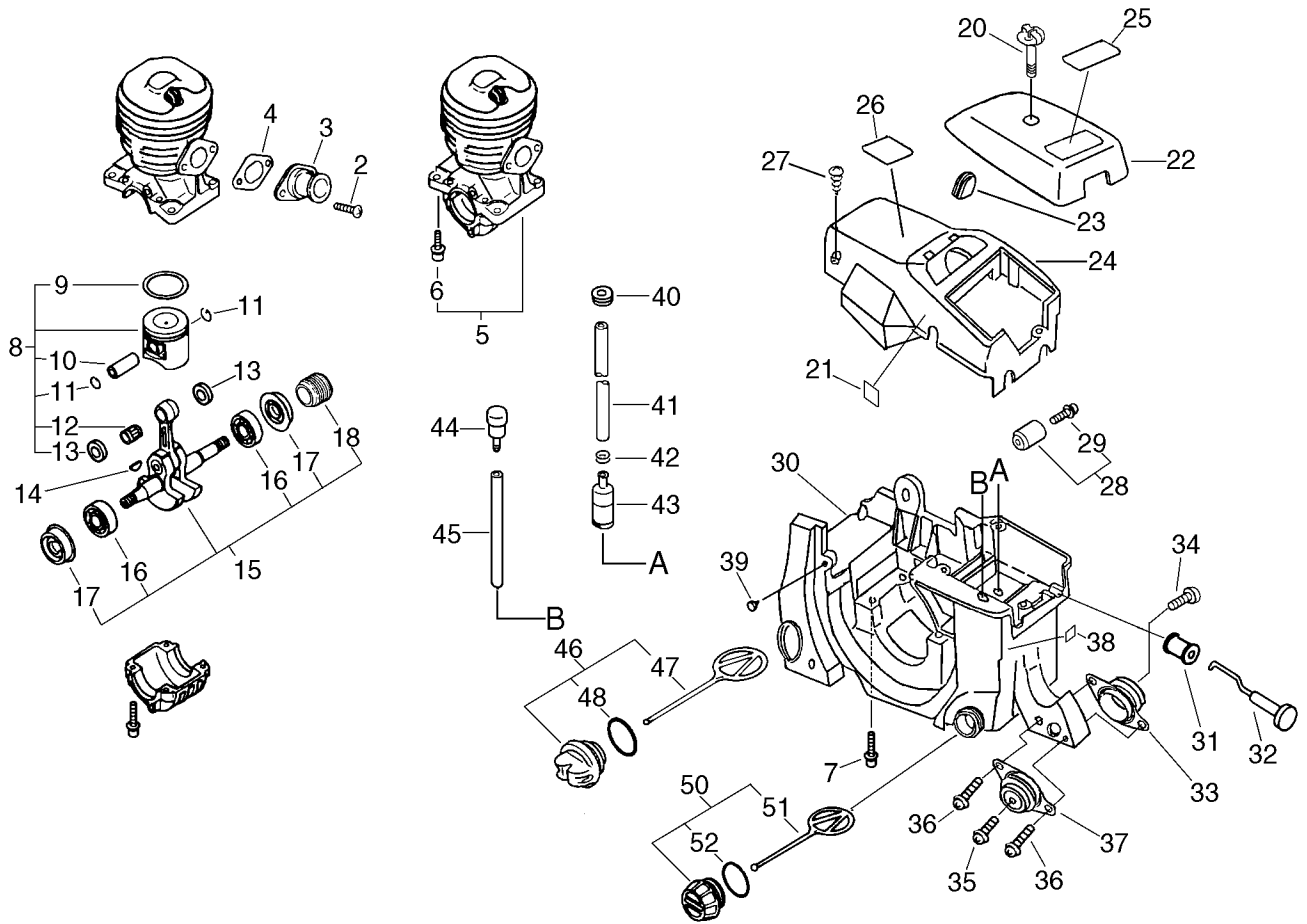


PARTS CATALOG

**SOUTH AMERICA
CHAIN SAW
CS-3500**

ECHO, INCORPORATED

400 OAKWOOD ROAD
LAKE ZURICH, ILLINOIS 60047
WWW.ECHO-USA.COM



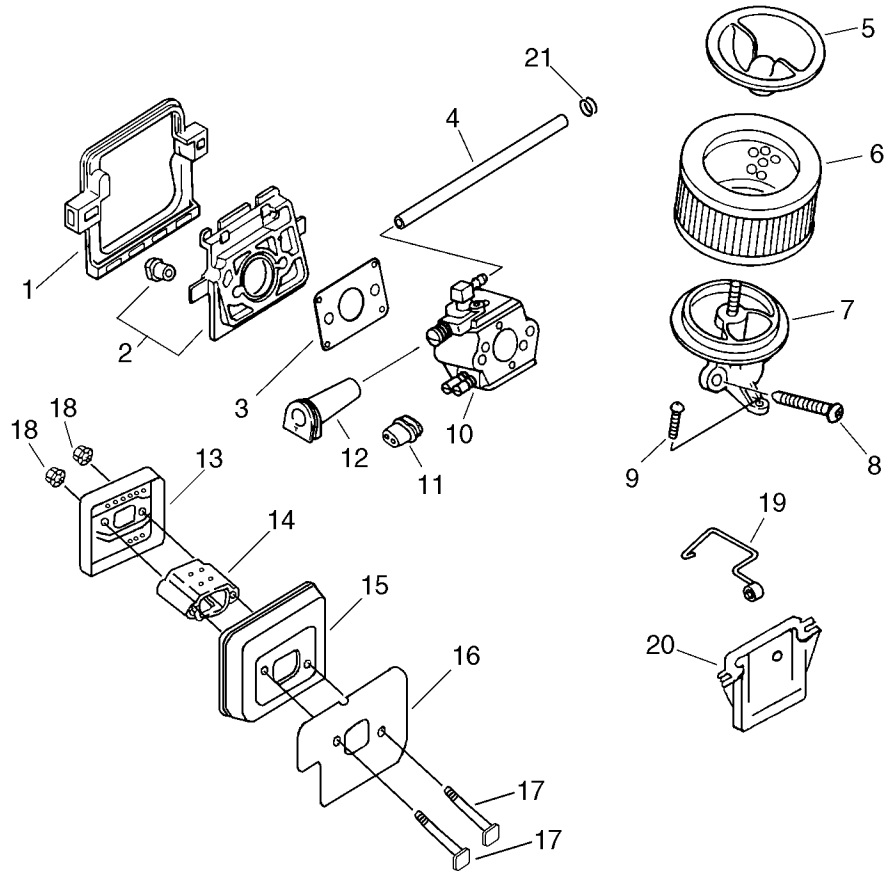
ENGINE, CRANKCASE, ENGINE COVER

CS-3500

KEY		PART NUMBER	QTY	DESCRIPTION
2		90023805012	2	SCREW 5*12
3		13051039932	1	ADAPTER, INTAKE
4		13001639930	1	GASKET, INTAKE
5		P021000802	1	CRANKCASE SET
6	+	90016205022	4	BOLT, H.S. 5*22
7		90016205030	4	BOLT, H.S. 5*30
8		10000060930	1	PISTON KIT
9	+	10001101110	1	RING, PISTON
10	+	10001315330	1	PIN, PISTON
11	+	10001504630	2	CIRCLIP, PISTON PIN
12	+	10001222330	1	BEARING, NEEDLE
13	+	10001460930	2	SPACER, PISTON PIN
14		10014212330	1	KEY, WOODRUFF
15		10010160931	1	CRANKSHAFT ASY
16	+	9403536201	2	BEARING BALL
17	+	10021338330	2	OILSEAL
18	+	43706335630	1	GEAR, WORM
20		A235000010	1	KNOB,CLEANER LID
21		89063138130	1	LABEL, CAUTION
22		A232000010	1	LID,CLEANER
23		13033832430	1	PLUG, COVER
24		10151460932	1	COVER, CYLINDER
25		X503000270	1	LABEL,MODEL
26		89034539230	1	LABEL,CAUTION
27		90025604016	3	SCREW 4*16
28		43300060930	1	CATCHER KIT, CHAIN
29	+	90025305020	1	SCREW 5*20
30		10400560932	1	COVER,ENGINE
31		17881060930	1	GROMMET, CHOKE
32		17851038330	1	ROD, CHOKE
33		10090535430	1	CUSHION
34		90023805025	1	SCREW 5*25
35		90023805014	1	SCREW 5*14
36		90023804022	2	SCREW 4*22
37		10090536030	1	CUSHION
38		89015739130	1	LABEL, SWITCH
39		43611413930	1	VALVE, CHECK
40		13211504920	1	GROMMET
41		13201038331	1	PIPE
42		13201326630	1	CLIP
43		13120514930	1	STRAINER,FUEL
44		13130056430	1	VALVE, CHECK
45		13201252030	1	PIPE 3*5*50

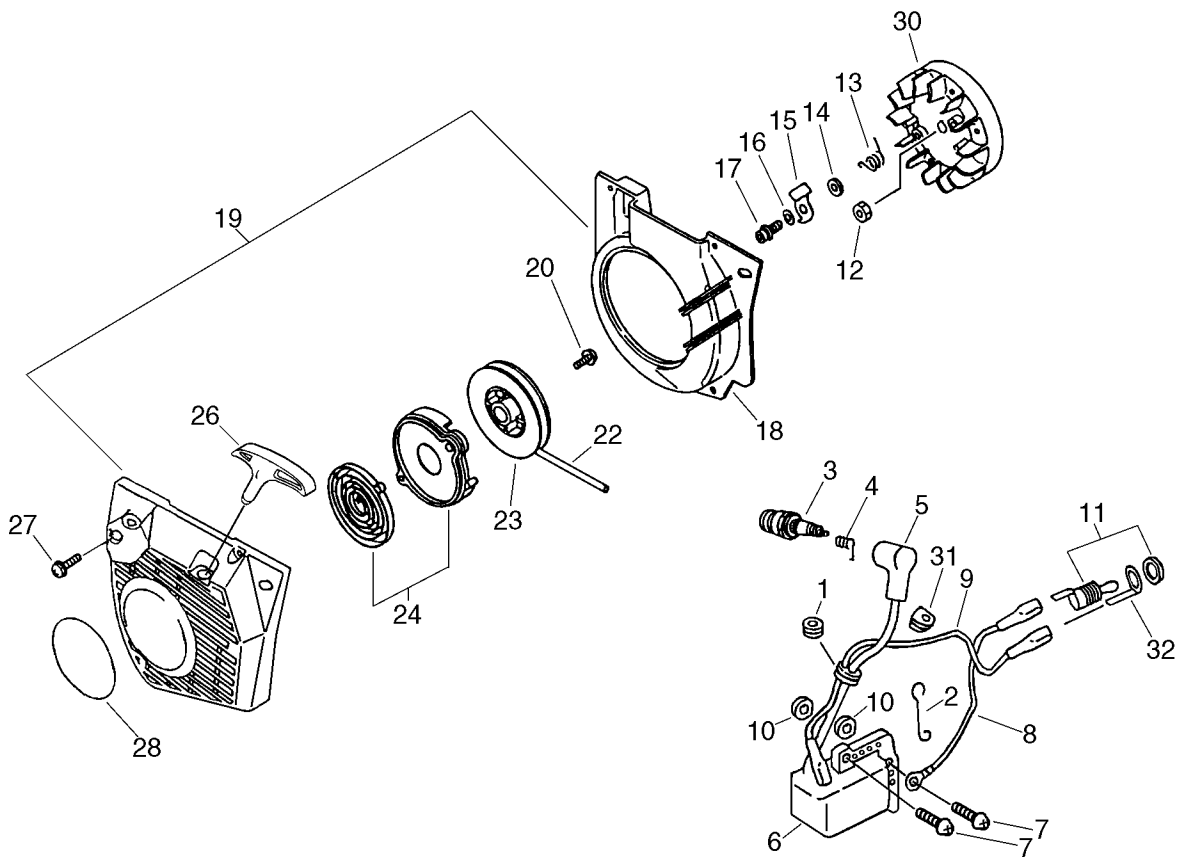
ENGINE, CRANKCASE, ENGINE COVER**CS-3500**

KEY		PART NUMBER	QTY	DESCRIPTION
46		43600139131	1	CAP ASSY, TANK
47	+	13105119830	1	LINK
48	+	90072502025	1	O-RING
50		13100437931	1	CAP ASSY, FUEL TANK
51	+	13105119830	1	LINK
52	+	90072000022	1	O-RING 22



INTAKE, EXHAUST**CS-3500**

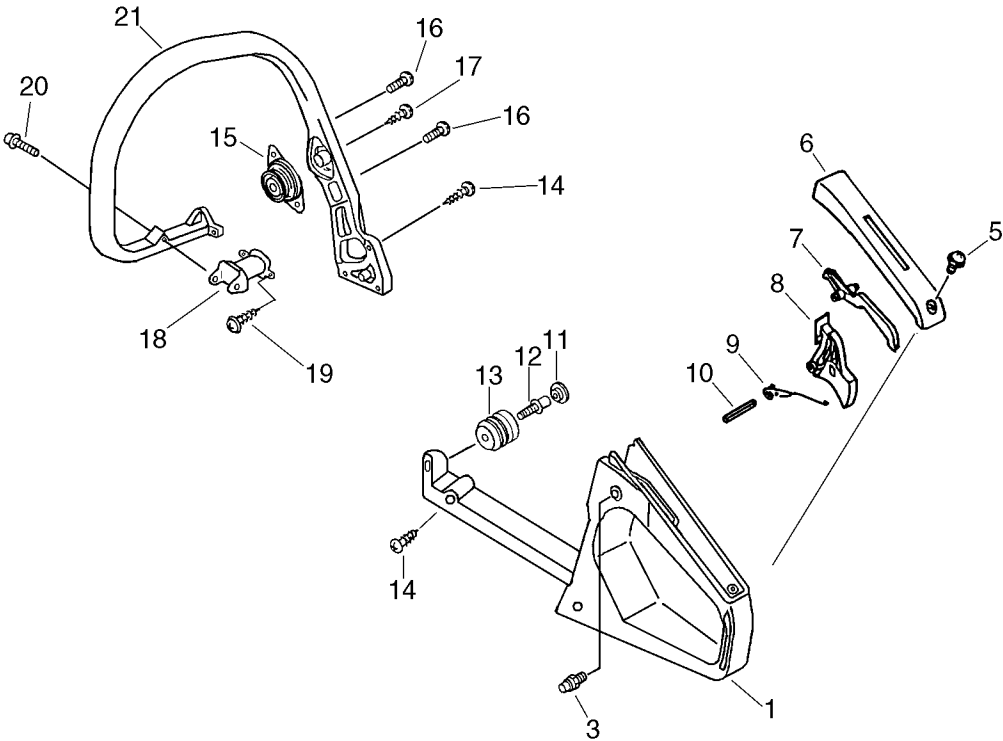
KEY	PART NUMBER	QTY	DESCRIPTION
1	13036639930	1	CUSHION
2	13000739930	1	INSULATOR
3	13001038330	1	GASKET, INTAKE
4	13011054430	1	PIPE, IMPULSE
5	13040538331	1	BRACKET, AIR CLEANER
6	13030039730	1	CLEANER ASM., AIR
7	13030139931	1	ADAPTER, INTAKE
8	90023805050	2	SCREW 5*50
9	90025305016	1	SCREW
10	12300060930	1	CARBURETOR ASSY
11	12901033330	1	GROMMET
12	12901560931	1	GROMMET
13	14586160930	1	LID, MUFFLER
14	14561460930	1	PLATE, MUFFLER
15	14561060930	1	MUFFLER
16	14551060930	1	GASKET, MUFFLER
17	10102360930	2	BOLT, 5 5*60
18	90051600005	2	NUT, FRANGE 5
19	17801161530	1	ROD, THROTTLE
20	17811260931	1	GUIDE, THROTTLE
21	13201309820	1	CLIP



IGNITION, STARTER ASSEMBLY

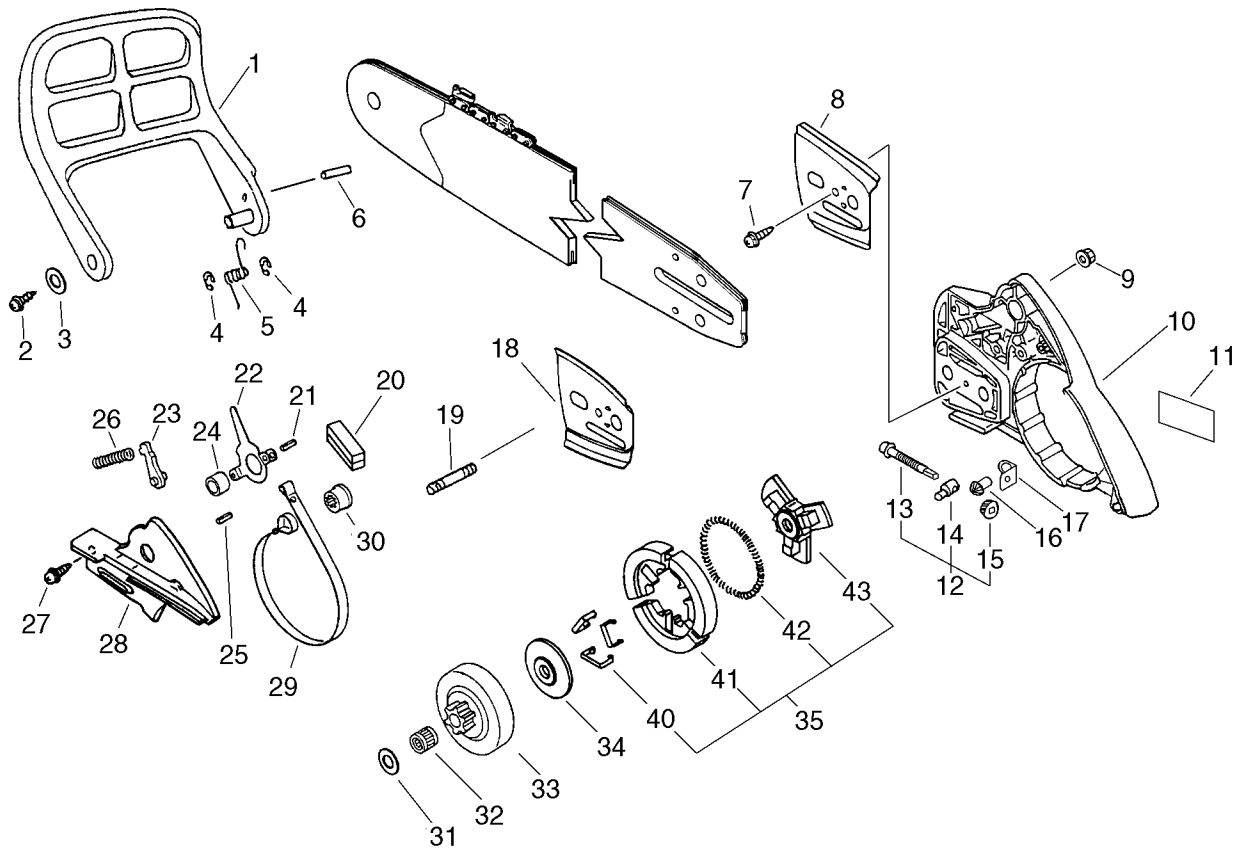
CS-3500

KEY	PART NUMBER	QTY	DESCRIPTION
1	15111204630	1	BUSHING
2	15911860930	1	GUIDE, CORD
3	15901010230	1	PLUG, SPARK (BPMR-7A
4	15901103432	1	COIL, SPARK PLUG CAP
5	15901201620	1	CAP, SPARK PLUG
6	15662660930	1	COIL, IGNITION
7	90023805025	2	SCREW 5*25
8	16201060930	1	LEAD
9	16202152130	1	LEAD
10	15011716430	2	SPACER
11	16340035430	1	SWITCH, IGNITION
12	90051500008	1	NUT, FLANGE 8
13	17723435430	2	SPRING, RETURN
14	17724704630	2	SPACER, RATCHET
15	A514000000	2	PAWL
16	90060300005	2	WASHER 5
17	90021605012	2	SCREW 5*12
18	10151160930	1	COVER, FAN BL
19	17720060931	1	STARTER,RECOIL
20	+ 17723644330	1	SCREW
22	+ 17722660930	1	ROPE, STARTER
23	+ 17721560930	1	DRUM, STARTER
24	+ 17720360930	1	SPRING KIT, REWIND
26	+ P022001320	1	GRIP, STARTER
27	90025604016	4	SCREW 4*16
28	89011849330	1	LABEL, ECHO
30	15680060930	1	ROTOR, MAGNETO
31	15011204930	1	BUSHING
32	16811460930	1	TERMINAL, LEAD



HANDLE, THROTTLE CONTROL**CS-3500**

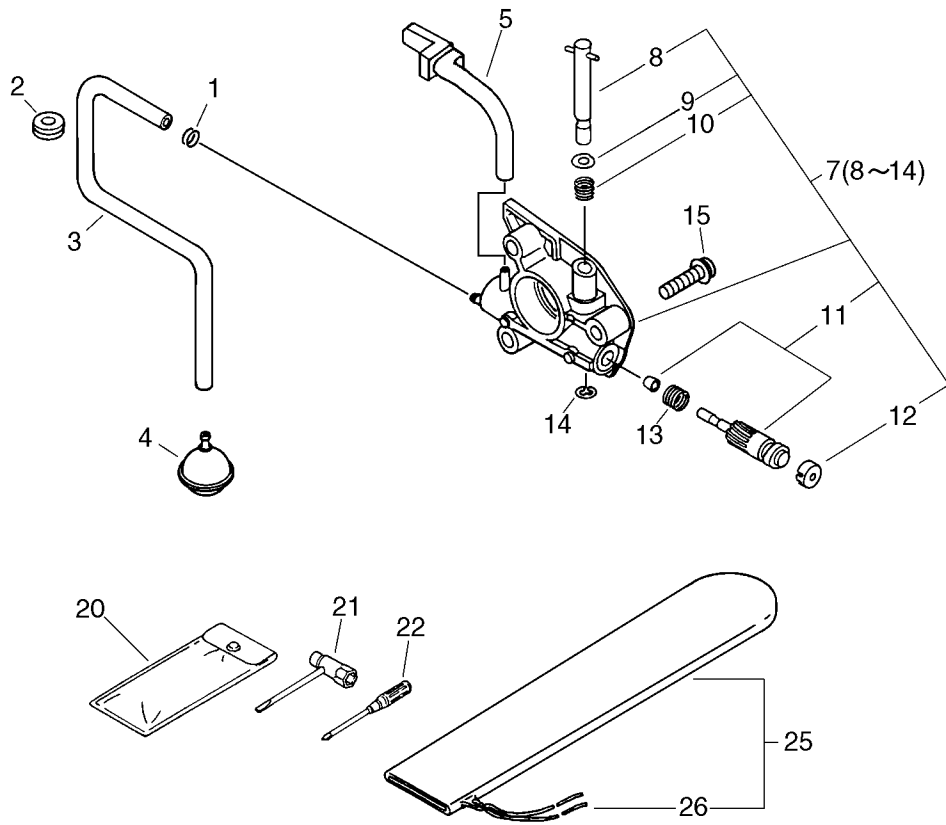
KEY	PART NUMBER	QTY	DESCRIPTION
1	35111060932	1	HANDLE, REAR
3	17830237930	1	LATCH, THROTTLE
5	90025304012	1	SCREW
6	35115535430	1	COVER, HANDLE (BL)
7	17809037930	1	LOCKOUT, T. CONTROL
8	C450000000	1	TRIGGER, THROTTLE
9	17804335430	1	SPRING, THR.RETURN
10	90034540030	1	PIN, SPRING 4*30SUS
11	10091819830	1	CAP, CUSHION
12	10091535430	1	SCREW
13	10091060030	1	CUSHION
14	90025305020	4	SCREW 5*20
15	10092235430	1	CUSHION, REARE HANDLE
16	90023804016	2	SCREW 4*16
17	90025305016	1	SCREW
18	35110560930	1	CUSHION
19	90025304012	2	SCREW
20	90023804022	1	SCREW 4*22
21	35160660931	1	HANDLE, FRONT



CLUTCH, CHAIN BRAKE ASSEMBLY

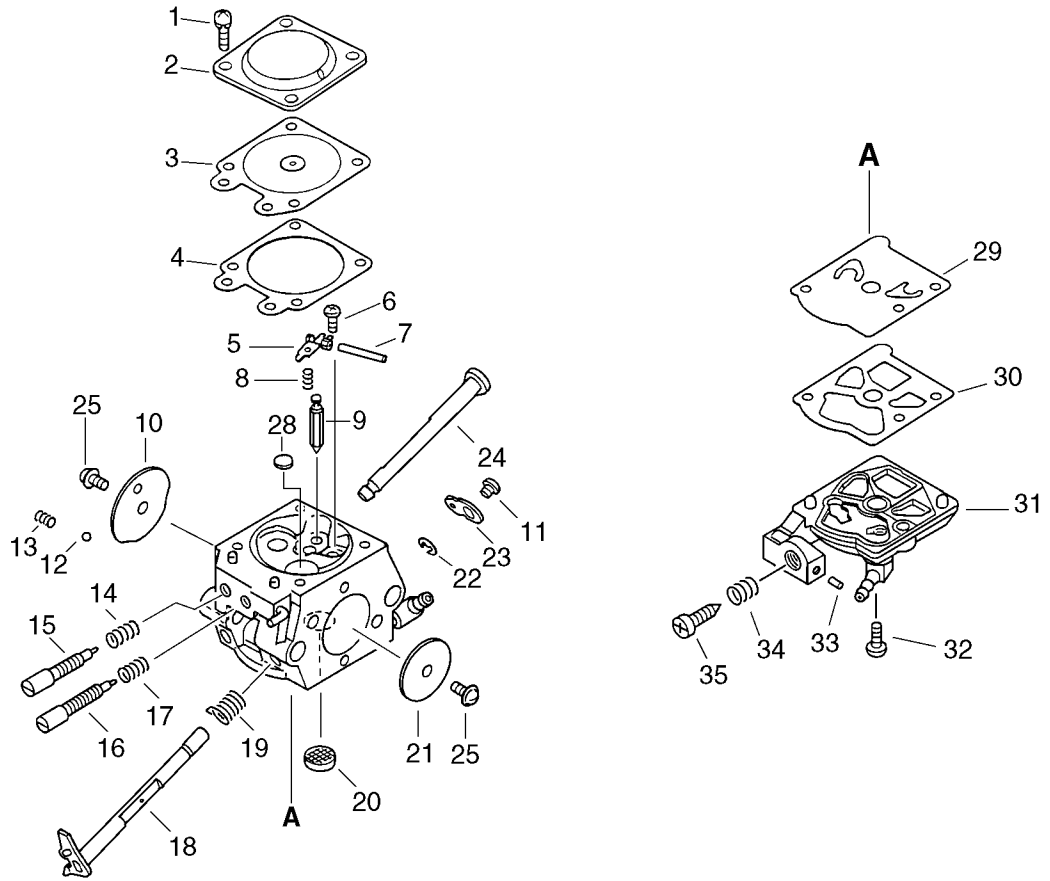
CS-3500

KEY		PART NUMBER	QTY	DESCRIPTION
		C032000020	1	BRAKE,ASM CHAIN
1		C320000000	1	LEVER,BRAKE
2		90025304012	1	SCREW
3		17721404630	1	WASHER
4		90070000008	2	E-RING 8
5		43312260930	1	SPRING, BRAKE
6		90033030120	1	PIN
7		90025304010	1	SCREW 4*10
8		43301260930	1	PLATE, GUIDE
9		43301903933	2	NUT, FLANGE 6
10	+	43301060931	1	GUARD, SPROCKET
11		X502000000	1	LABEL,ECHO
12		P021000061	1	TENSIONER,CHAIN ASY
13	+	V203000020	1	BOLT,5
14	+	C309000030	1	TENSIONER,CHAIN
15	+	V651000010	1	GEAR,BEVEL
16		V651000000	1	GEAR,BEVEL
17		V150000030	1	PLATE,EYE
18		43301360930	1	PLATE, GUIDE
19		43301103931	2	STUD, GUIDE BAR
20	+	43331232630	1	COVER, SEAL
21	+	90033040088	1	ROLLER 4*8.8
22	+	43311760930	1	CONNECTOR, BRAKE
23	+	43320935430	1	STOPPER, BRAKE
24	+	43311635430	1	SPACER 8
25	+	90034225012	1	PIN, SPRING 2.5*12
26	+	43312235430	1	SPRING, BRAKE
27	+	90025304012	3	SCREW
28	+	43331060930	1	COVER, BRAKE BS
29	+	43312360930	1	BAND, BRAKE
30	+	43314235430	1	ADJUSTER, BRAKE
31		17501439130	1	WASHER, CLUTCH
32		17501235630	1	BEARING, NEEDLE
33		17500539131	1	DRUM, CLUTCH 3/8
34		17501939430	1	PLATE, CLUTCH
35		A056000010	1	CLUTCH
40	+	17502259530	3	SPRING,FLAT
41	+	P021000270	1	CLUTCH SHOE SET
42	+	17501839430	1	SPRING, CLUTCH
43	+	A552000000	1	HUB,CLUTCH



AUTO OILER SYSTEM**CS-3500**

KEY	PART NUMBER	QTY	DESCRIPTION	
1	13201326630	1	CLIP	
2	13211512330	1	GROMMET	
3	43721035430	1	PIPE	
4	43620514730	1	STRAINER, OIL	
5	43721139133	1	PIPE	
7	43700238330	1	AUTO-OILER ASSY	
8	+	43701638330	1	NEEDLE, ADJUST
9	+	43702937330	1	WASHER
10	+	43701537330	1	SPRING
11	+	43702437330	1	PLUNGER
12	+	43706238330	1	CAP, OIL PUMP
13	+	43701938330	1	SPRING
14	+	12312715030	1	RING
15		90022304016	2	SCREW
20		89851039130	1	BAG, TOOL
21		89541003930	1	WRENCH, W/S. DRIVER
22		89581203930	1	DRIVER, SCREW 50
25		89851338330	1	SCABBARD, GUIDE BAR
26	+	89856814530	1	ROPE



CARBURETOR**CS-3500**

KEY		PART NUMBER	QTY	DESCRIPTION
		12300060930	1	CARBURETOR ASSY
1	+	12313002960	4	SCREW
2	+	12314203930	1	COVER, M. DIAPHRAGM
3	+	12314103930	1	DIAPHRAGM, METERING
4	+	12314003930	1	GASKET, M. DIAPHRAGM
5	+	12312303930	1	LEVER, METERING
6	+	12313903930	1	SCREW, M. LEVER PIN
7	+	12313803930	1	PIN, METERING LEVER
8	+	12312239330	1	SPRING, METER. LEVER
9	+	12313719830	1	VALVE, INLET NEEDLE
10	+	12313235430	1	VALVE, CHOKE
11	+	12311403930	1	SCREW
12	+	12313610630	1	BALL, CHOKE FRICTION
13	+	12313510630	1	SPRING, CHOKE FRICT.
14	+	12311922130	1	SPRING, NEEDLE
15	+	12312010860	1	NEEDLE, HIGH SPEED
16	+	12311838330	1	NEEDLE, IDLE
17	+	12312122130	1	SPRING, NEEDLE
18	+	12311737330	1	SHAFT, THROTTLE
19	+	12311337530	1	SPRING, THROTTLE RTN
20	+	12312610631	1	SCREEN, INLET
21	+	12311603930	1	VALVE, THROTTLE
22	+	12312715030	1	RING
23	+	12315038330	1	LEVER, THROTTLE
24	+	12313135430	1	SHAFT, CHOKE
25	+	12311438830	2	SCREW
28	+	12314610631	1	PLUG, WELCH
29	+	12311215030	1	DIAPHRAGM, FUEL PUMP
30	+	12312515030	1	GASKET, FUEL PUMP
31	+	12312438330	1	COVER, FUEL PUMP
32	+	12311003930	1	SCREW, PUMP COVER
33	+	12317815030	1	PLUG, FRICTION
34	+	12313304260	1	SPRING, IDLE ADJUST
35	+	12313404260	1	SCREW, IDLE ADJUST