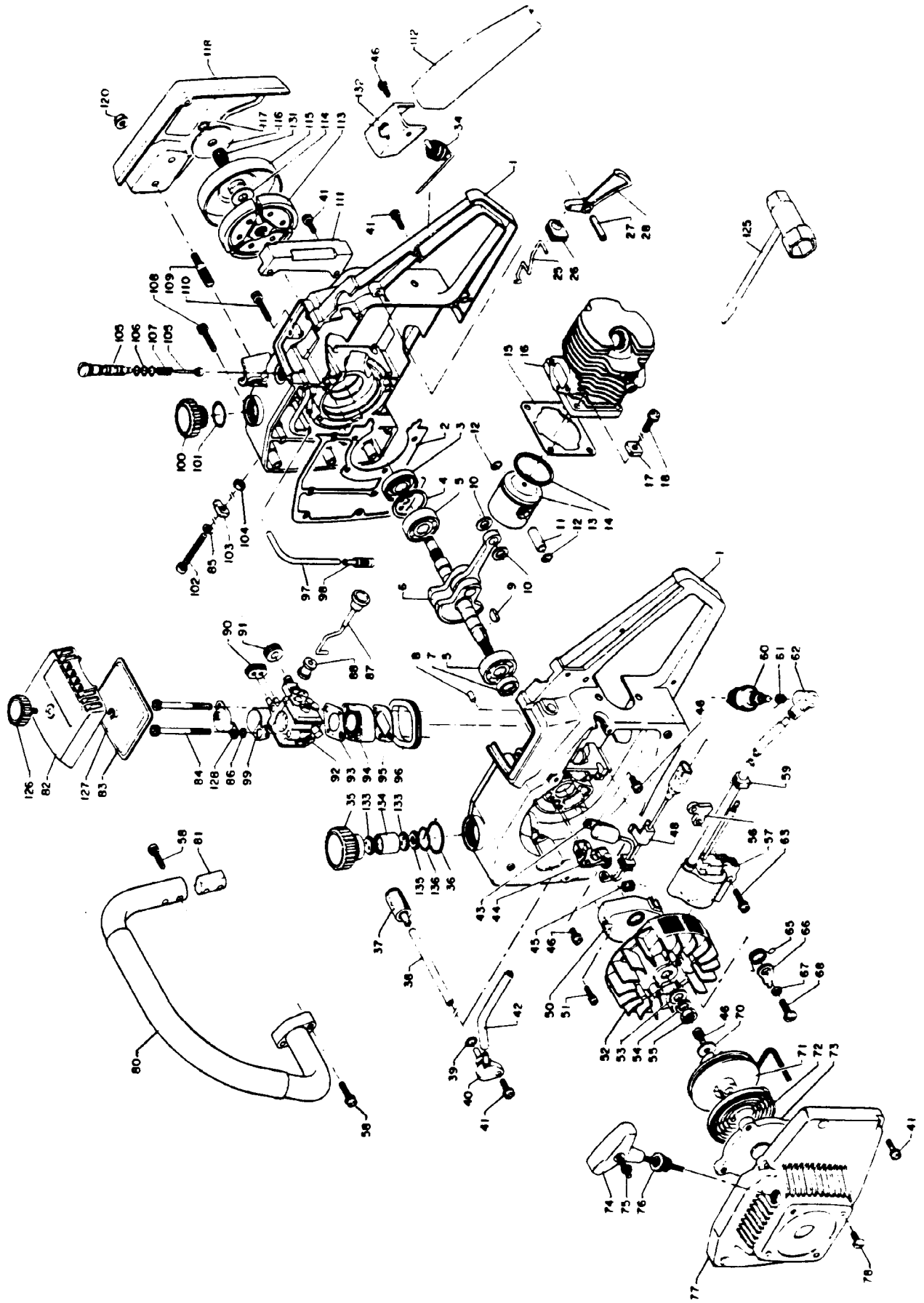




**CHAIN SAW
PARTS CATALOG
MODEL CS-315
SERIAL NUMBER 58001 & UP**

**ECHO, INCORPORATED
400 OAKWOOD ROAD
LAKE ZURICH, IL 60047**

PARTS LIST (1)



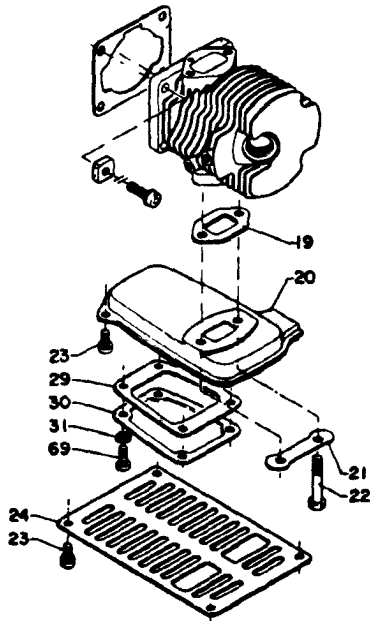
Key No.	Part Number	Q'ty	Description	Key No.	Part Number	Q'ty	Description
1	100 200-1123 3	1	Crankcase set	70	-177 214-0393 0	1	Washer
2	100 242-1123 0	1	Gasket-crankcase	71	-177 206-1123 0	1	Recoil drum
3	100 213-0393 0	1	Oil seal	72	-177 220-1123 0	1	Rewind spring
4	900 702-0003 2	1	Circlip 32	73	-177 208-1123 0	1	Starter case
5	900 810-3620 1	2	Ball bearing, 6201	74	-177 228-1113 0	1	Starter handle
6	100 100-1123 1	1	Crankshaft ass'y	75	-177 226-0393 0	1	Starter rope
7	100 212-1123 0	1	Oil seal	76	-177 227-0533 0	1	Rope guide
8	100 215-0393 0	2	Knock pin	77	-101 511-1123 1	1	Fan cover
9	100 131-0162 0	1	Woodruff key	78	-177 251-1123 0	4	Screw
10	100 014-1123 0	2	Spacer-Piston pin	80	351 205-1123 0	1	Front handle
11	100 013-1123 0	1	Piston pin	81	351 211-1123 0	1	Insert-front handle
12	100 015-0463 0	2	Circlip-Piston pin	82	130 313-1123 1	1	Cover-air cleaner
13	100 010-1123 1	1	Piston	83	130 310-1123 1	1	Air filter
14	100 011-1123 0	1	Piston ring	84	900 162-0505 5	2	Bolt, 5x55
15	101 010-1123 0	1	Gasket-cylinder base	85	900 600-0000 5	1	Washer, 5
16	101 011-1123 1	1	Cylinder	86	178 516-0083 0	2	Spacer
17	100 216-1123 0	4	Nut	87	178 510-1123 0	1	Choke rod
18	900 242-0502 2	4	Screw, 5x22 w/W, SW	88	178 810-1123 1	1	Rubber grommet-choke rod
25	178 011-1123 0	1	Throttle rod	90	129 010-0393 0	1	Grommet
26	178 210-1123 0	1	Rubber Grommet-throttle	91	129 023-1113 0	1	Grommet
27	900 340-5002 5	1	Spring pin	92	123 000-1123 1	1	Carburetor ass'y
28	178 010-1123 0	1	Throttle trigger	93	130 016-1123 0	1	Gasket-carburetor
34	163 400-1123 1	1	Switch	94	130 017-1123 0	1	Insulator
35	131 001-0393 1	1	Cap, fuel tank	95	130 010-1123 0	1	Gasket-insulator
133	-131 031-0393 0	2	Spacer	96	130 012-1123 0	1	Grommet-intake
134	-131 030-0393 0	1	Supporter	97	437 210-1123 0	1	Oil pipe
135	-131 035-0343 1	1	Filter	98	436 205-0283 2	1	Oil strainer
136	-131 032-0393 0	1	Clip	99	178 515-1123 1	1	Choke shutter
36	900 720-0002 2	1	O-ring 22	100, 101	436 001-1113 0	1	Cap ass'y, oil tank
37	131 205-0523 0	1	Fuel strainer	100	-436 007-1113 0	1	Cap, oil tank
38	132 010-1293 0	1	Fuel pipe-inner	101	-900 720-0001 6	1	O-ring, 16
39	900 720-0000 7	1	O-ring 7	102	900 220-0504 0	1	Screw, 5x40
40	132 011-1123 0	1	Fuel pipe connector	103	433 014-1123 0	1	Tensioner
41	900 242-0401 4	9	Screw, 4x14 w/W, SW	104	433 022-0283 0	1	Lock nut, 5
42	132 012-1123 0	1	Fuel pipe-outer	105	437 002-1123 0	1	Auto, oiler
43	156 104-1123 0	1	Condenser	106	437 020-0283 0	3	O-ring
44	156 101-1123 0	1	Contact breaker point set	107	437 019-0283 0	1	Spring-pump plunger
45	156 134-0463 0	1	Oil pad	108	900 242-0402 5	7	Screw, 4x25 w/W
46	900 242-0401 0	4	Screw, 4x10 w/W, SW	109	433 011-1123 3	2	Stud bolt-guide bar
48	159 112-1123 0	1	Clamp	110	100 244-1123 1	4	Screw, 4x25 w/W, SW
50	156 128-1123 1	1	Breaker cover	111	100 618-1123 0	1	Dust seal plate
51	900 240-0301 6	2	Screw, 3x16 w/W	112	351 012-1123 1	1	Grip-rear handle
52	156 205-1123 0	1	Flywheel	113	175 000-0393 0	1	Clutch ass'y
53	900 600-0000 8	1	Washer, 8	114	175 015-0393 0	1	Washer
54	900 605-0000 8	1	Spring washer, 8	115	175 005-1153 0	1	Clutch case, w/sprocket
55	900 502-0000 8	1	Nut, 8	116	175 014-1123 2	1	Washer
56	150 117-0393 0	1	Spacer-magneto	117	100 130-1123 0	1	Snap ring
57	156 108-1123 0	1	Ignition coil	118	433 010-1123 1	1	Cover-guide bar
58	900 242-0402 0	4	Screw, 4x20 w/W, SW	120	433 019-0393 0	2	Flange nut
59	150 110-0393 0	1	Rubber grommet-H.T. cord	125	895 410-0393 0	1	Box wrench, w/screw driver
60	159 010-0033 0	1	Spark plug	126	130 406-0393 0	1	Thumb bolt
61	159 011-0051 0	1	Coil Spring-spark plug cap	127	900 700-0000 3	1	E-ring 3
62	159 012-0162 0	1	Cap-spark plug	128	130 405-1123 0	1	Bracket, air cleaner
63	159 314-1233 0	2	Screw	131	175 012-0393 0	1	Needle bearing
65	177 234-0393 1	2	Ratchet spring	132	163 810-1123 0	1	Bracket, switch
66	177 218-1123 0	2	Ratchet				
67	177 247-0463 0	2	Spacer-ratchet				
68	177 217-0463 0	2	Screw				
**	177 200-1123 1	1	Recoil starter ass'y				
46	-900 242-0401 0	1	Screw 4x10 w/W, SW				

* Consisting of 35 and 133 thru 136

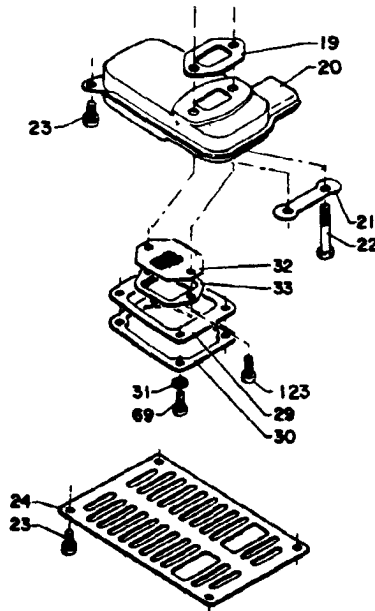
** Consisting of 41 and 70 thru 78

PARTS LIST (1) MUFFLER

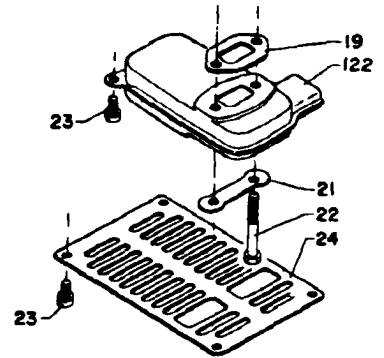
STANDARD



OPTION 1

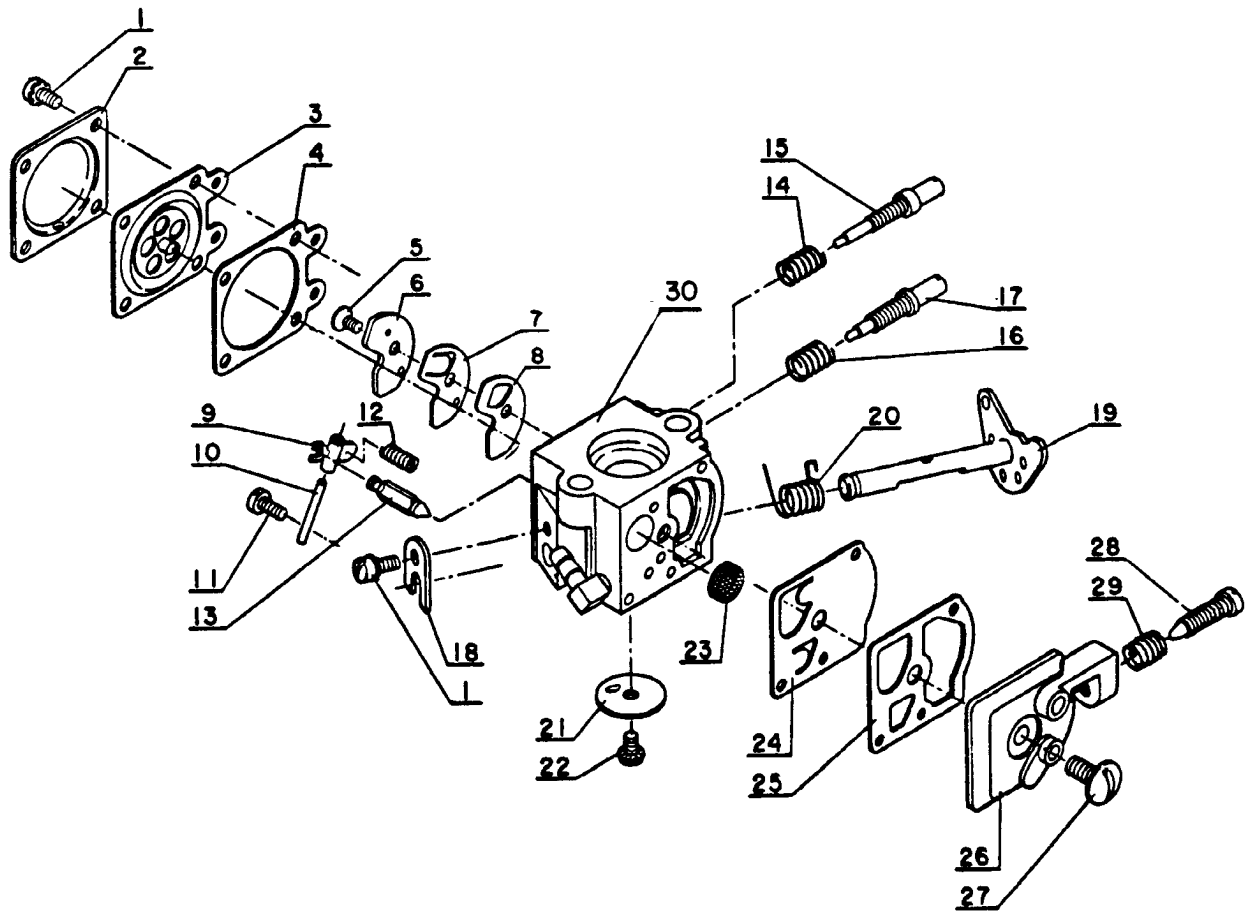


OPTION 2



Key No.	Part Number	Description	Quantity per unit		
			STANDARD	OPTION 1	OPTION 2
1- 19	145 510-1123 0	Gasket-muffler	1 PCE	1 PCE	1 PCE
20	145 806-1123 0	Muffle body (S.A.M.)	1	1	-
122	145 610-1123 0	Muffler	-	-	1
21	145 642-1123 0	Washer-muffler	1	1	1
22	900 100-0503 0	Bolt, 5x30	2	2	2
23	900 241-0401 0	Screw, 4x10 w/SW	6	6	6
24	145 621-1123 0	Muffler cover	1	1	1
29	145 866-1123 0	Gasket-muffler lid	1	1	-
30	145 861-1123 0	Muffler lid (S.A.M.)	1	1	-
31	900 610-0000 4	Lock washer, 4	4	4	-
32	145 862-1123 0	Muffler screen (S.A.M.)	-	1	-
33	145 863-1123 0	Screen holder (S.A.M.)	-	1	-
69	900 220-0401 0	Screw, 4x10	4	4	-
123	900 220-0400 8	Screw, 4x8	-	2	-

PARTS LIST (2) CARBURETOR (TYPE: WA - 33)



Key No.	Part Number	Q'ty	Description	Key No.	Part Number	Q'ty	Description
2- *	123 000-1123 1	1	Carburetor ass'y	15	- 123 120-1123 0	1	Needle-high speed
1	- 123 144-0393 0	5	Screw	16	- 123 121-0393 0	1	Spring-idle needle
2	- 123 142-0393 0	1	Cover-metering diaphragm	17	- 123 118-1053 0	1	Needle-idle
3	- 123 141-0393 0	1	Daphragm-metering	18	- 123 127-0393 0	1	Clip-throttle shaft
4	- 123 140-0393 0	1	Gasket-metering diaphragm	19	- 123 117-1123 0	1	Shaft ass'y-throttle
5	- 123 167-0523 0	1	Screw-circuit plate	20	- 123 113-0393 0	1	Spring-throttle return
6	- 123 166-0393 0	1	Plate-circuit	21	- 123 116-0393 0	1	Valve-throttle
7	- 123 165-0393 0	1	Diaphragm-circuit plate	22	- 123 114-0393 0	1	Screw-throttle valve
8	- 123 164-0393 0	1	Gasket-circuit plate	23	- 123 126-0393 0	1	Screen-inlet
9	- 123 123-0393 0	1	Lever-metering	24	- 123 112-0393 0	1	Diaphragm-fuel pump
10	- 123 138-0393 0	1	Pin-metering lever	25	- 123 125-0393 0	1	Gasket-fuel pump
11	- 123 139-0393 0	1	Screw-metering lever pin	26	- 123 124-1113 0	1	Cover-fuel pump
12	- 123 122-0393 0	1	Spring-metering lever	27	- 123 110-0393 0	1	Screw-pump cover
13	- 123 137-0393 0	1	Valve-inlet needle	28	- 123 134-1113 0	1	Screw-idle adjustment
14	- 123 119-0393 0	1	Spring-h.s. needle	29	- 123 133-1113 0	1	Spring-idle screw
				30	NOT AVAILABLE	1	Body ass'y, carburetor

* Consisting of 1 thru 30